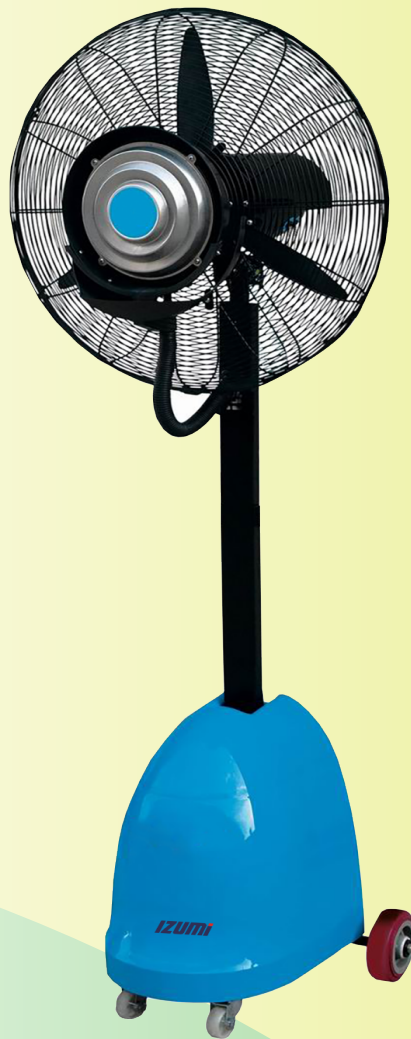


IZUMI
AIR CONDITIONER

IZUMI MIST COOLING



IZUMI CORPORATION, TOKYO, JAPAN

Centrifugal misting system means no nozzles and filter needed.

Adjustable misting volume, low noise.

Air supplying, misting and oscillating functions are driven by different motors, convenient to use and easy to maintain.

Fan surface is epoxy resin coated, anti-rust and durable. The motor is low temperature-rise designed, adopts cold-rolled silicon steel sheet and pure copper winding, and it has a re-settable thermal protector, which ensure stable performance, long service life and strong overload capacity.

Water pump adopts protective device to protect it from burning out when water running out.

90° left and right oscillation angle, three speeds.

Waterproof electric design, safe to use.

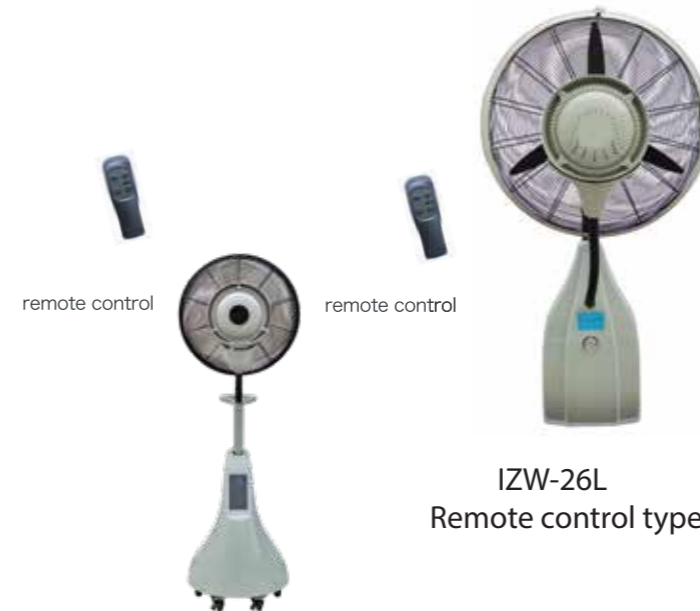
Designed for cooling large areas such as patios, factories, manufacturing facilities, farms, garages, athletic fields, greenhouses and more.



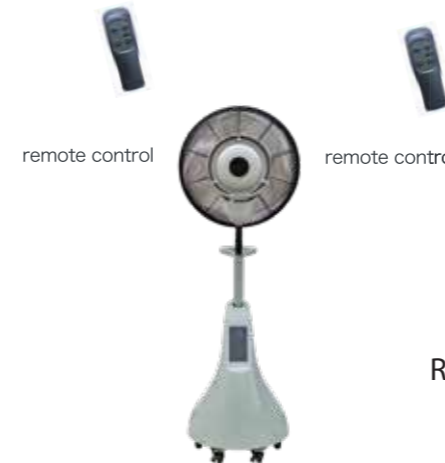
IZS-26E
Mobile Type



IZS-26L
Remote control type

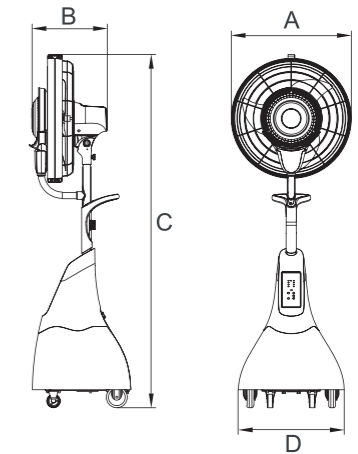


IZW-26L
Remote control type

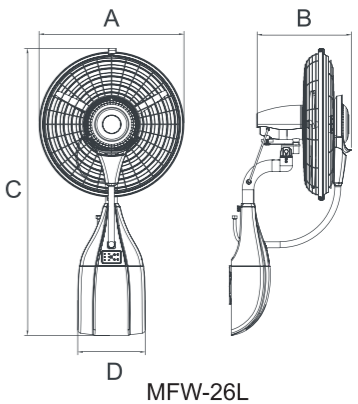


IZS-20L
Remote control type

Outline dimensions

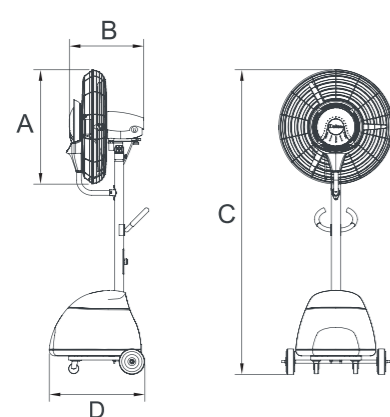


MFS-20L

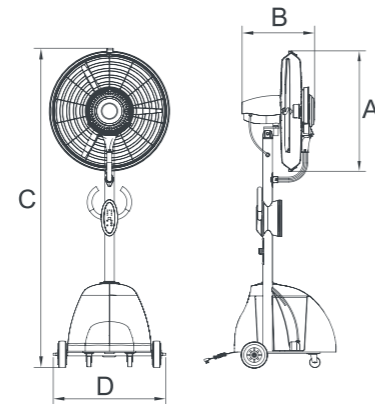


MFW-26L

Outline dimensions



MFS-26E



MFS-26L

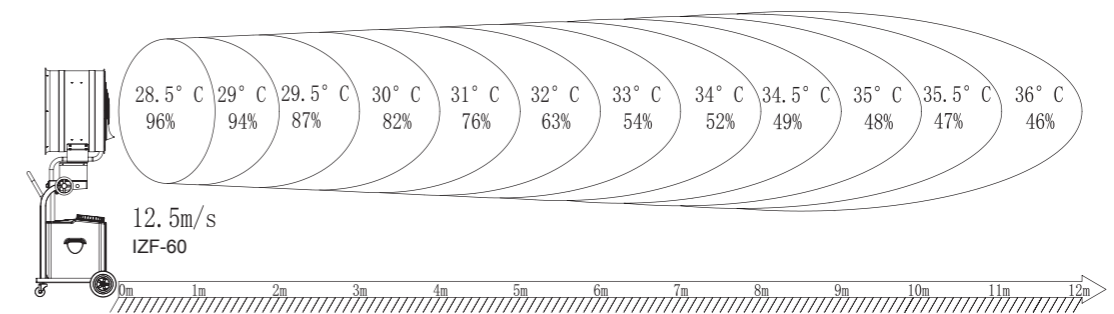
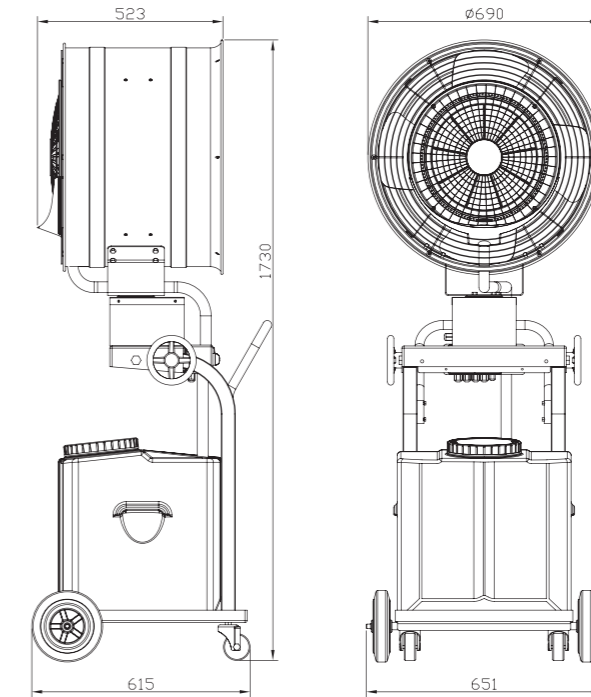
Model	Diameter of blade	A/B/C/D	Voltage & Frequency	Tank Capacity (L)	Max misting Volume(L/h)	Using duration (H)	Speed	Power (W)	Speed (rpm)	Air volume (m ³ /min)	Noise (dB)	Certificate
IZS-26E	650/26"	715/435/1930/612	220V/50Hz	48	5	9-15	Low	210	1100	143	55	CE CB SASO E-MARK RoHS ERP
							Medium	220	1250	174	60	
							High	240	1400	220	68	
IZS-26L	650/26"	726/435/1930/678	220V/50Hz	23	5	5-10	Low	210	1100	143	55	
							Medium	220	1250	174	60	
							High	240	1400	220	68	
IZS-20L	500/20"	572/372/1685/505	220V/50Hz	15	2.8	5-8	Low	150	1000	65	50	
							Medium	160	1200	78	53	
							High	180	1400	96	58	
IZW-26L	650/26"	726/473/1435/340	220V/50Hz	7	3.5	continuous use	Low	210	1100	143	55	
							Medium	220	1250	174	60	
							High	240	1400	220	68	

Axial Misting Fan

- Long Misting Distance
- Large Misting Volume
- Waterproof Design
- Convenient Movement
- Oscillation 90 degree
- Adjustable Pitching Angle
- Safety Locked Wheel
- Designed for cooling large areas such as construction site, farm, factory warehouse, sports field.



Outline & Dimension



Model	Diameter of blade (mm)	A/B/C/D/H Outline dimensions (mm)	Voltage & frequency	Tank capacity (L)	Max misting Volume (L/h)	Using hours for one tank of water (H)	Power (W)	Speed (rpm)	Air volume (m ³ /min)	Noise (dB)	Certificates
IZF-60	600/24"	690/523/615/651/1730	220V/50Hz	90	10	9	800	910	160	90	CE CB G-MARK SAA RoHS SASO